

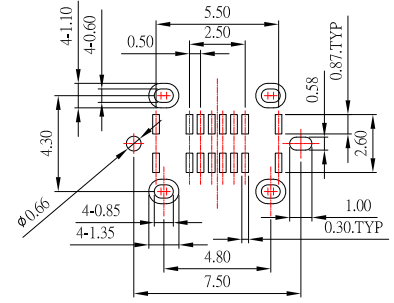
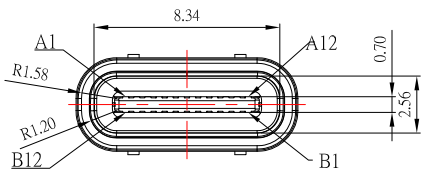
IPX7



SBC-WP160VS-20x-S165

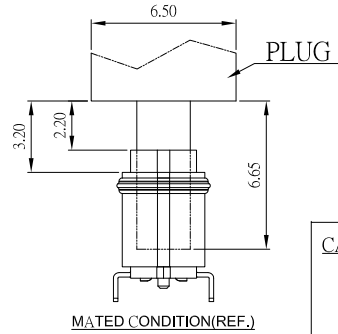
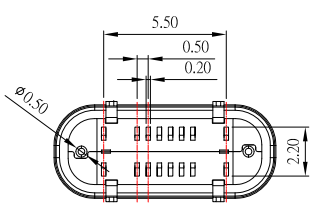
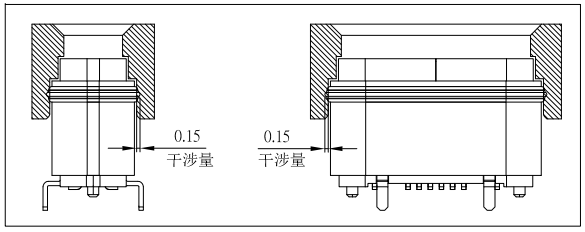
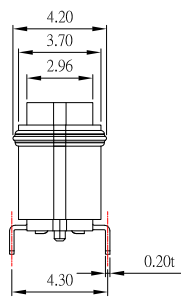
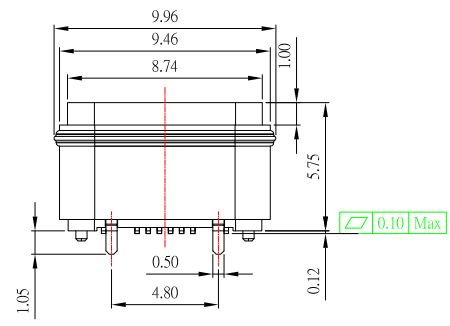
鍍層厚度：

Blank : 1u"
2 : 15u"
3 : 30u"

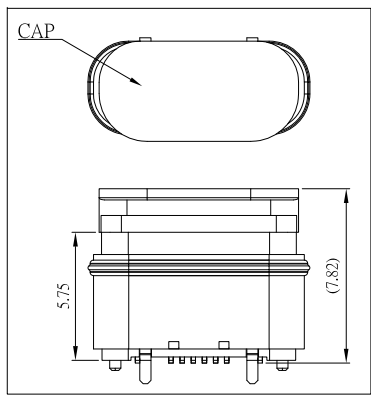


RECOMMENDED PCB LAYOUT

PIN ASSIGNMENT			
PIN NUMBER	SIGNAL NAME	PIN NUMBER	SIGNAL NAME
A1	GND	B12	GND
A4	VBUS	B9	VBUS
A5	CC1	B8	SBU2
A6	D+	B7	D-
A7	D-	B6	D+
A8	SBU1	B5	CC2
A9	VBUS	B4	VBUS
A12	GND	B1	GND



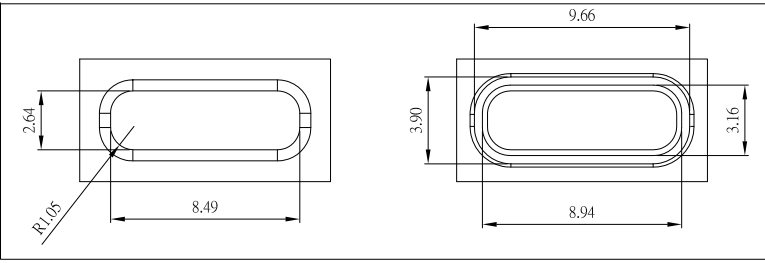
MATED CONDITION(REF.)



SPECIFICATIONS

- Electrical:**
- Rating: 3.0 A
 - Contact Resistance: 50 mΩ Max
 - Insulation Resistance: 100 MΩ Min
- Mechanical:**
- Connector Mate and Unmate Force
 - Mate force: 5~20 N
 - Unmate force: 8~20 N

- Material:**
- Housing: LCP
 - Contact: C7025
 - Shell: SUS
- Finish:**
- Contact: Plated Gold in Mating Area ;
Gold Plated on Solder Balls ;
Nickel under plated overall
 - Shell: Nickel under Plated surface layer



CONTACT 建倚科技股份有限公司
CONTACT TECHNOLOGY CORP.

TOLERANCE UNLESS OTHERWISE STATED:
 Up to 5 ±0.2
 Above 5 ~ 15 ±0.3
 Above 15 ~ 30 ±0.4
 Above 30 ~ 50 ±0.5
 Angle ±0.3°

3RD. ANGEL'S

UNITS MM

DRAWN BY:	DATE	MAT'L	TITLE	CONNECTOR
Jack Lu	03/10/22		MODLE	USB C TYPE 180度 2.0 Female H5.9 防水型IPX7
CHECKED BY:	DATE	FINISH	SCALE	1 : 1
Jacky Chen	03/10/22		DWG NO.	SBC-WP160VS-20x-S165
APPROVED BY:	DATE	SHEET NO.	PART NO.	SBC-WP160VS-20x-S165
Tony Kao	03/10/22	1 of 1		
			SIZE	A4
			VER	R1

1	更新圖面	Jack	031022
ITEM NO.	DESCRIPTION	DRAWN	DATE